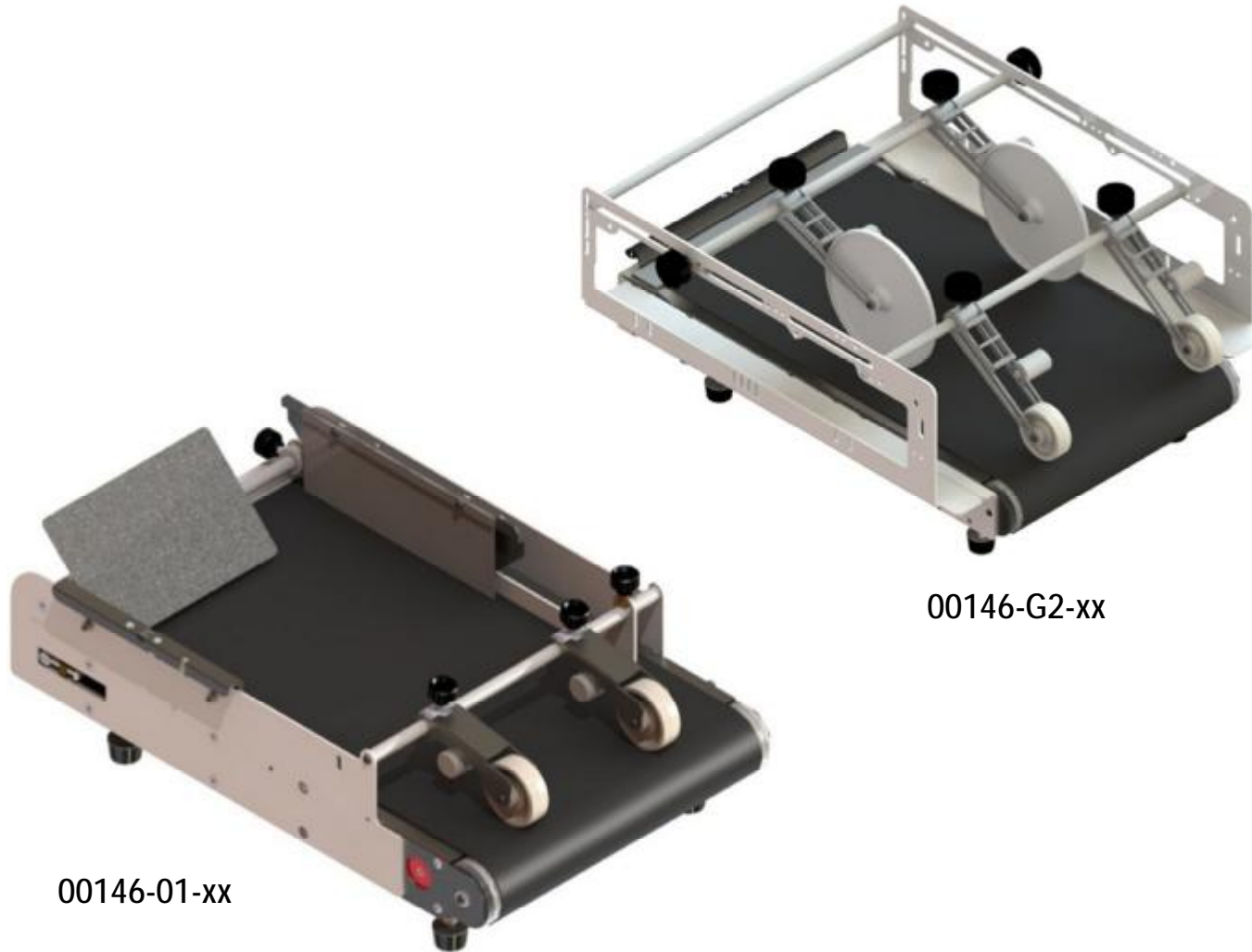


WD Schneider GmbH
35452 Heuchelheim – Germany

Transfer conveyor table top information catalog 0014x-xx-xx



00146-01-xx

00146-G2-xx

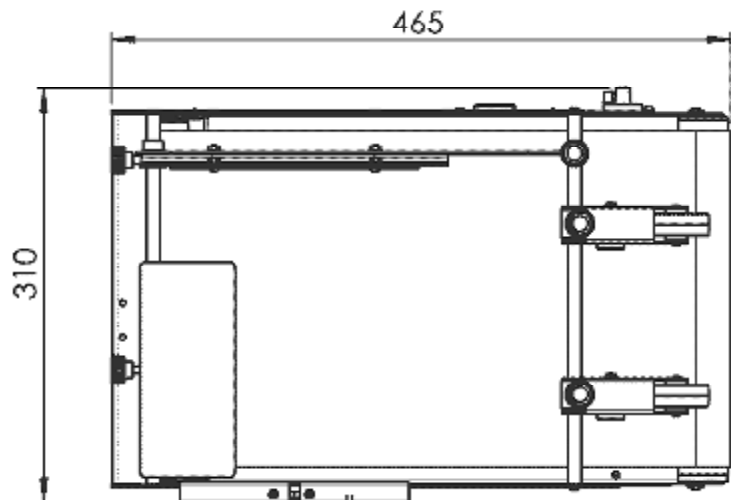
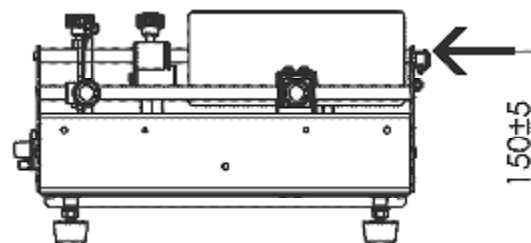
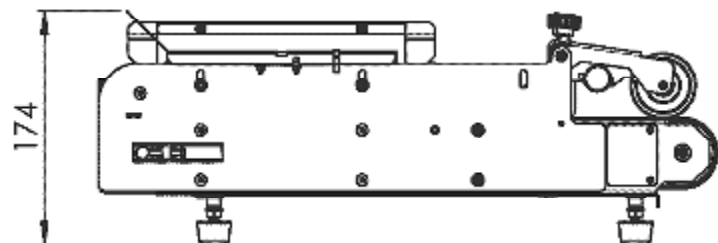
Transfer conveyor table top information catalog 0014x-xx-xx

	00146-01xx	00146-G2-xx
	Transfer conveyor table top B5x465	Transfer conveyor table top W366x480
	90° -infeed left or right	Inline feed
Envelope size height width	70...250mm	70...365mm
	70 x 200mm	70 x 365mm
Belt dim. approx	450 x 250 mm	
Belt speed	0,8m/sec	
Serial interface		
Service interface		
Parallel interface		
Dimensions	310 x 465 x 175mm	432 x 480 x 215mm
Infeed height	150±5mm	110±3mm
Run out height		
Belt height	95mm	
Options	00161-03-xx Transfer transport W276; v=2m/sec; 230VAC	
	00161-40-xx Transfer transport W276; v=0,5...3,0m/sec; 100...240VAC	
	00161-54-xx Transfer transport 2 rollers W195; 100...240VAC	
	---	00164-40-xx Transfer transport W365; with I/O-Sensors; 100...240VAC
	00166-20-80 Batch kicker 230VAC	90° -infeed; 00166-20-80 Batch kicker 230VAC

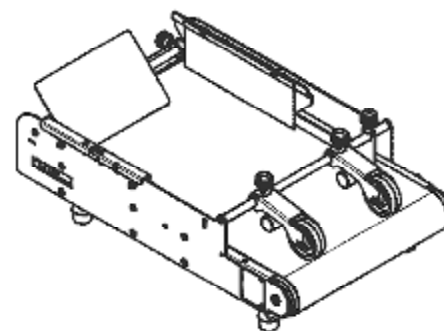
Weight	10,5kg	14kg


Transfer conveyor table top information catalog 0014x-xx-xx

00146-01-xx



← In-feed direction



 In-feed sensor

Transfer conveyor table top information catalog 0014x-xx-xx

00146-G2-xx

