

Transfer conveyor W365x1020mm information 00140-02 (F2)-xx



00140-02-xx



00140-F2-xx



00140-F2-xx

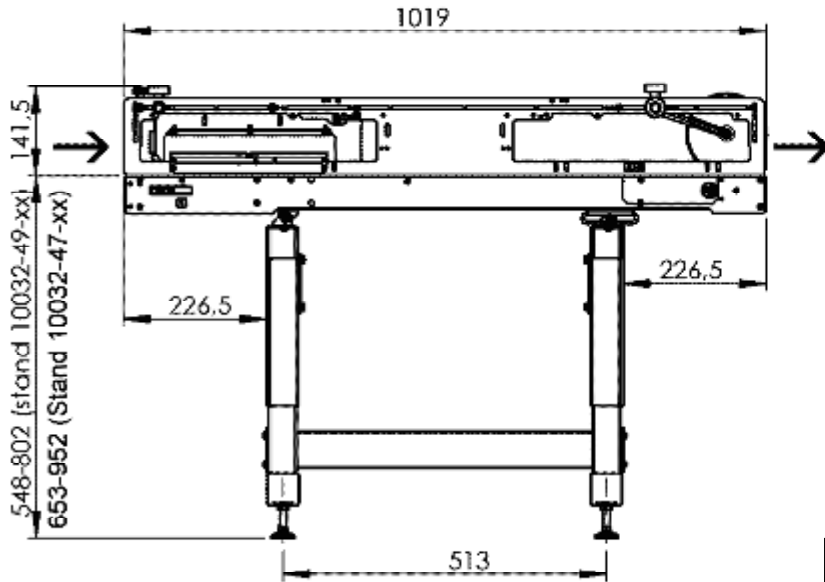
Stands are Options

WD Schneider GmbH
35452 Heuchelheim – Germany

Transfer conveyor W365x1020mm information 00140-02 (F2)-xx

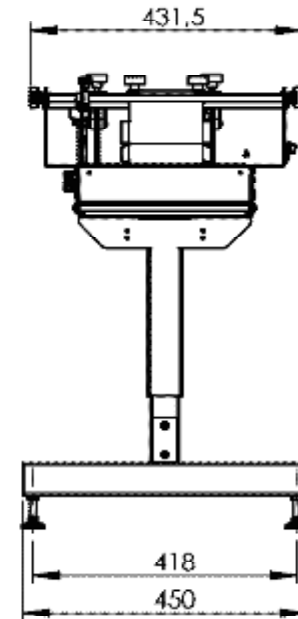
	00140-02-xx	00140-F2-xx
	Transfer conveyor W365x1020 90° -infeed left or right	Transfer conveyor W365x1020 Inline feed
Envelope size	70...365mm	
height	70...365mm	
width	letters up to 2kg	
Belt dim. approx	975 x 250mm	
Belt speed	v=0.25...1.3m/s	
Serial interface	RS 232 C; RS 485; CAN-Bus; or parallel interface; potential free Opto couplers; other interfaces on request	
Service interface	RS 232 C	
Parallel interface	Binary signals at D-Sub HD26F	
Dimensions	440 x 1019mm	440 x 1019mm
Infeed height	300...950mm	200...950mm
Run out height	200...850mm	200...950mm
Belt height		
Options	10032-47-xx Stand H=535-833	
	10032-49-xx Stand H=460-683	
	00161-03-xx Transfer transport W276; v=2m/sec; 230VAC	
	00161-40-xx Transfer transport W276; v=0,53,0m/sec; 100...240VAC	
	00161-54-xx Transfer transport 2 rollers W195; 100...240VAC	
	00164-40-xx Transfer transport W365; with I/O-Sensors; 100...240VAC	
	90° -infeed; 00166-20-80 Batch kicker	90° -infeed; 00166-20-80 Batch kicker
00173-00-00 Pressure Roller	00173-00-00 Pressure Roller	
Weight	32kg	32kg

Transfer conveyor W365x1020mm information 00140-02 (F2)-xx

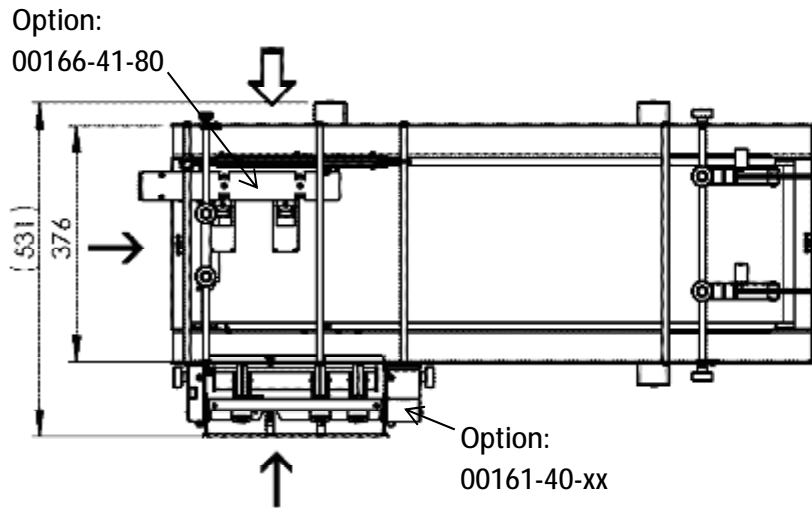


← In-feed direction
⇨ alternate mounted

00140-02-xx with options

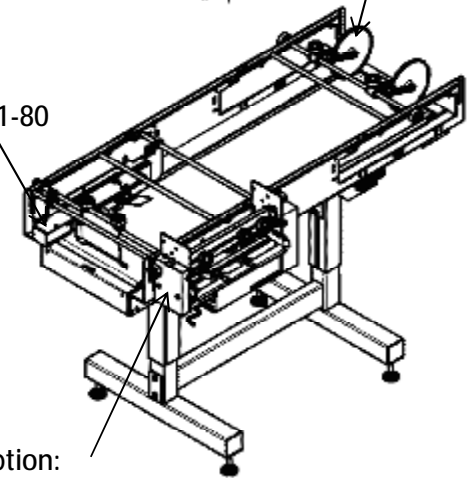


Option:
10003-36-00



Optional: 10032-47-xx Stand H=535-833
10032-49-xx Stand H=460-683
10003-36-00 Pressure roller set
00166-41-80 Batch kicker
00161-40-xx Transfer W276
00164-40-xx Transfer W365

Option:
00166-41-80

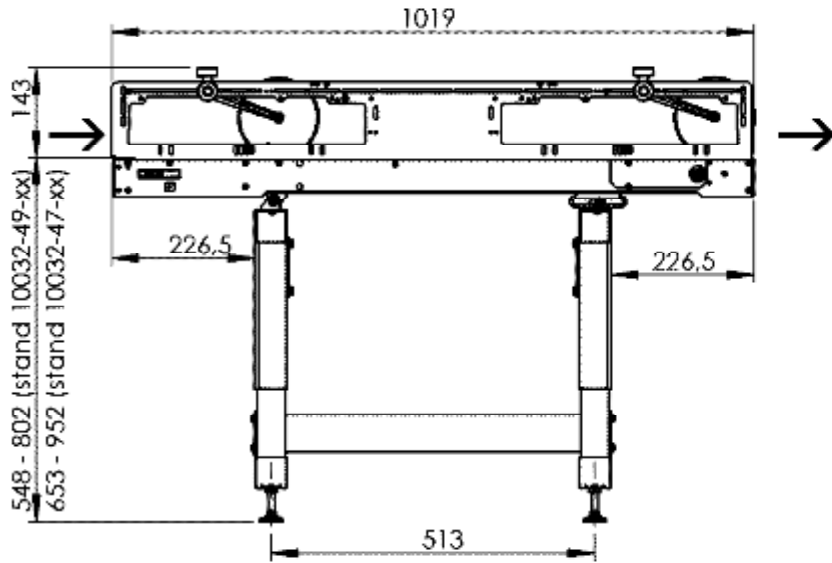


Transfer conveyor - Transportstrecke
Type – Typ 00140-02(F2)-xx

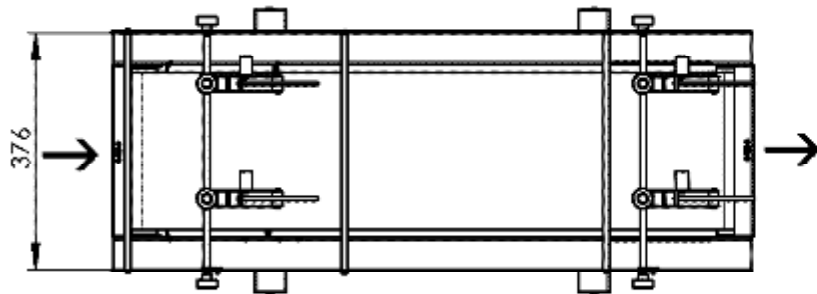
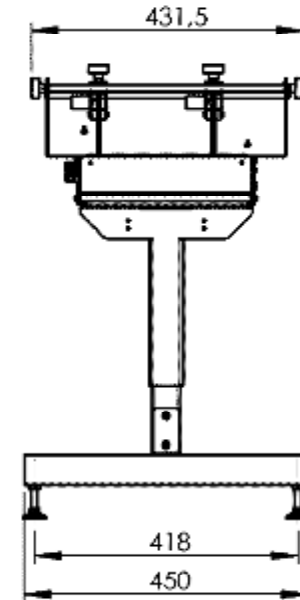
Issue - Ausgabe
2012-09-12

Page – Seite 3 - 6

Transfer conveyor W365x1020mm information 00140-02 (F2)-xx

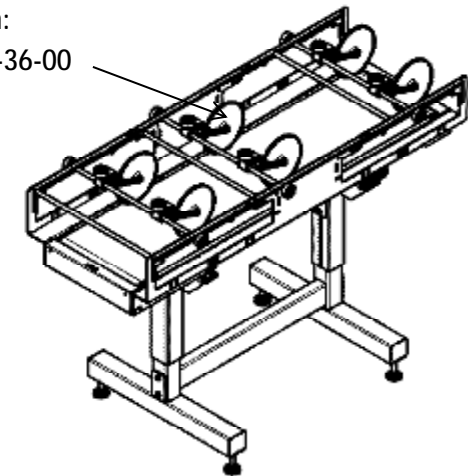


00140-F2-xx



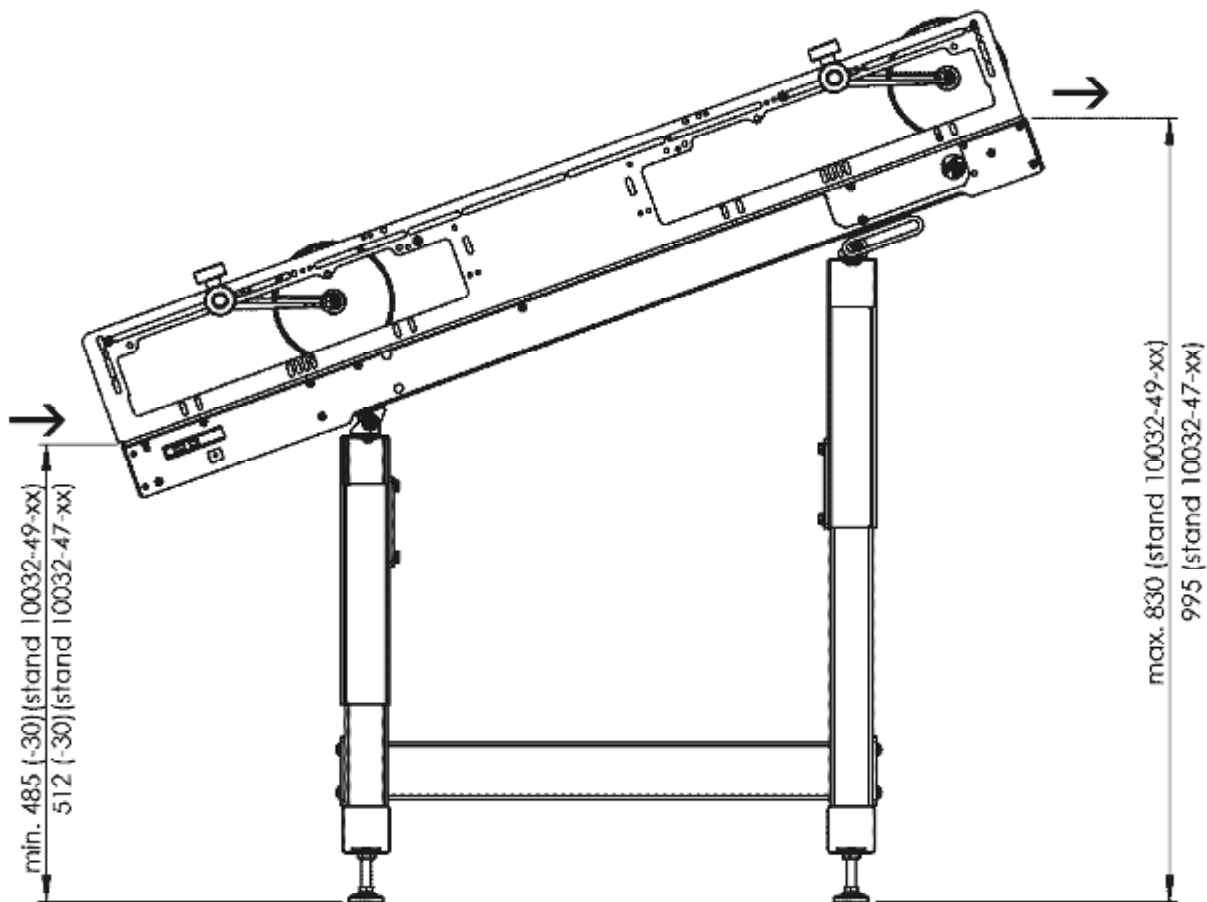
- Optional: 10032-47-xx Stand H=535-833
10032-49-xx Stand H=460-683
10003-36-00 Pressure roller set
00164-40-xx Transfer W365

Option:
10003-36-00



WD Schneider GmbH
35452 Heuchelheim – Germany

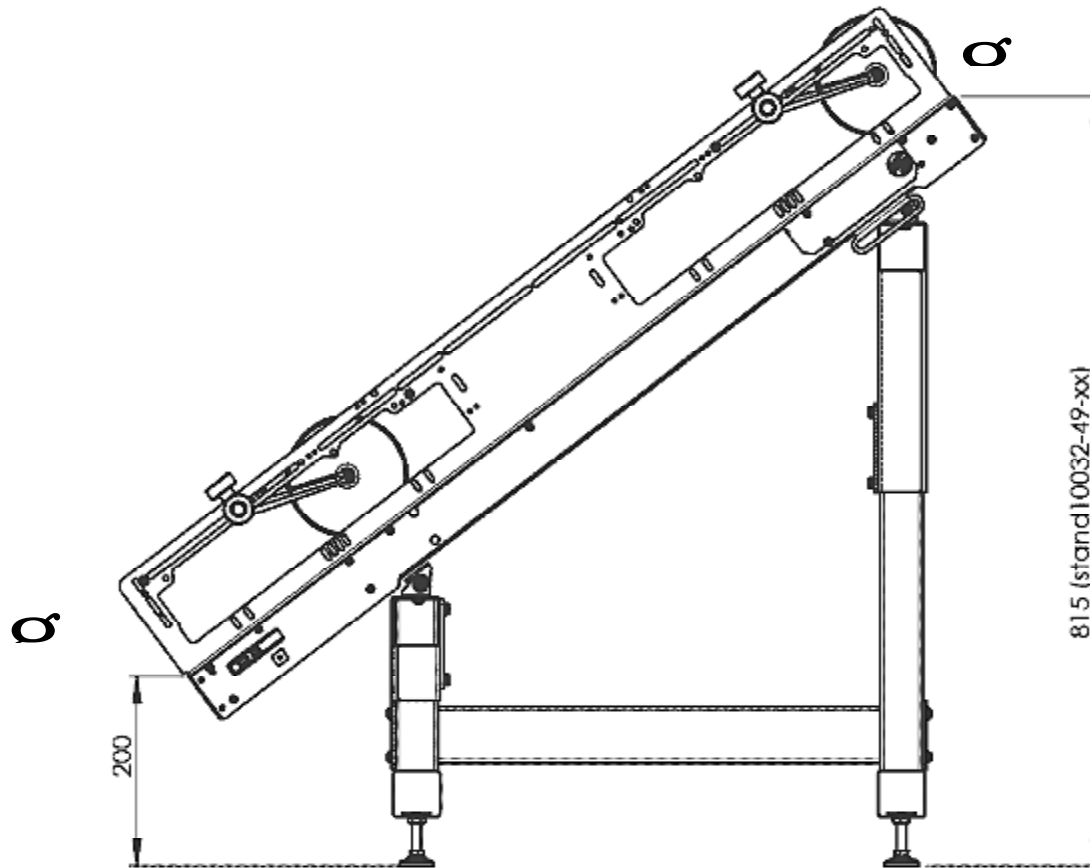
Transfer conveyor W365x1020mm information 00140-02 (F2)-xx



00140-F2-xx
Possible stand settings
with no modifications

WD Schneider GmbH
35452 Heuchelheim – Germany

Transfer conveyor W365x1020mm information 00140-02 (F2)-xx



00140-F2-xx
Possible stand settings
with modifications.