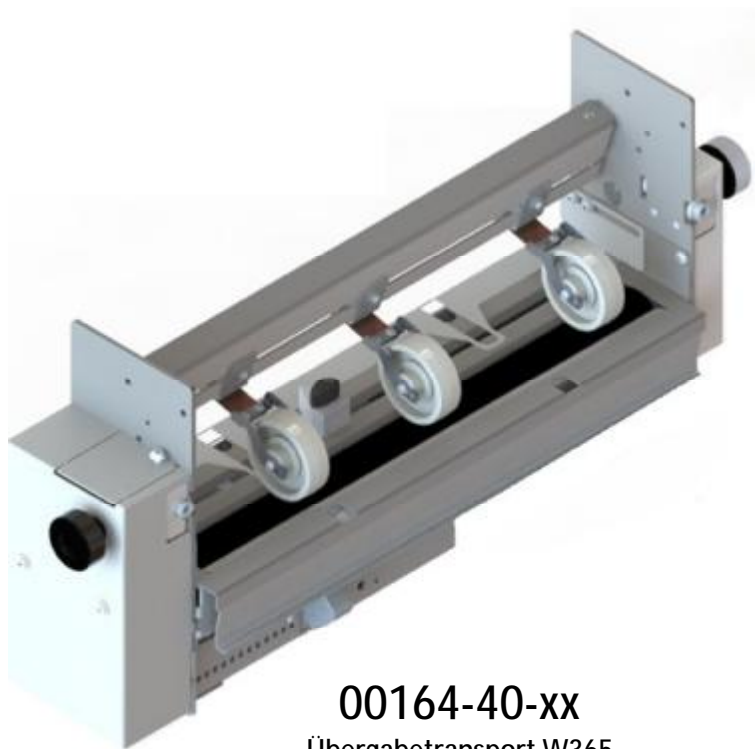
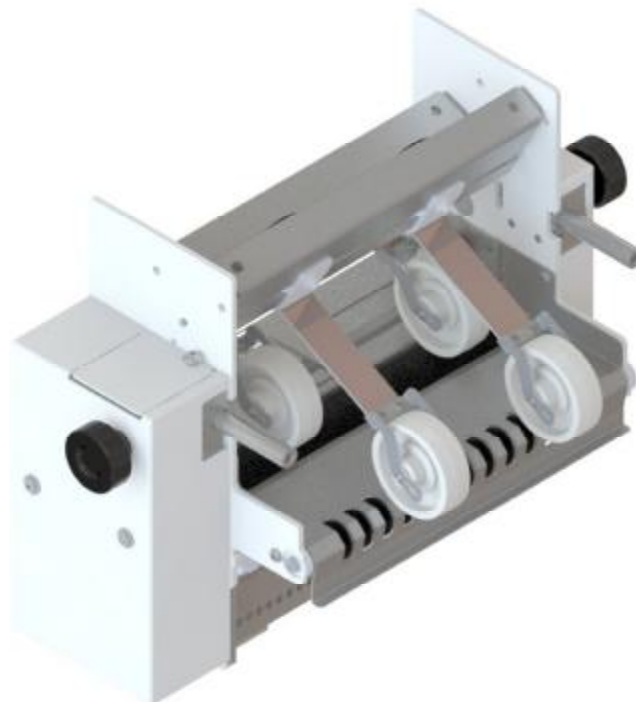


WD Schneider GmbH
35452 Heuchelheim – Germany

Transfer Information Catalog 00161-40 (-54)-xx; 00164-40-xx



00164-40-xx
Übergabetransport W365



00161-54-xx
Übergabetransport W195



00161-40-xx
Übergabetransport W276

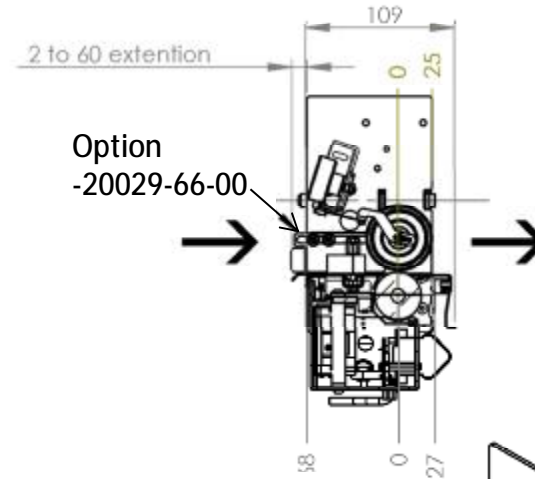
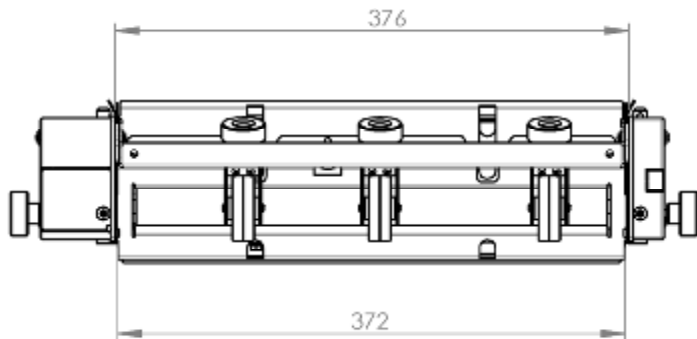
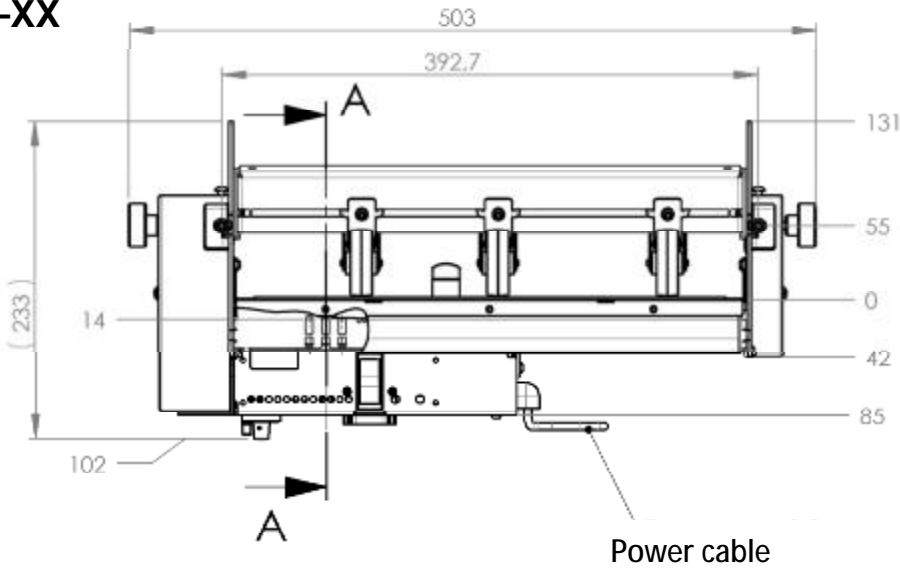
WD Schneider GmbH
35452 Heuchelheim – Germany

Transfer Information Catalog 00161-40 (-54)-xx; 00164-40-xx

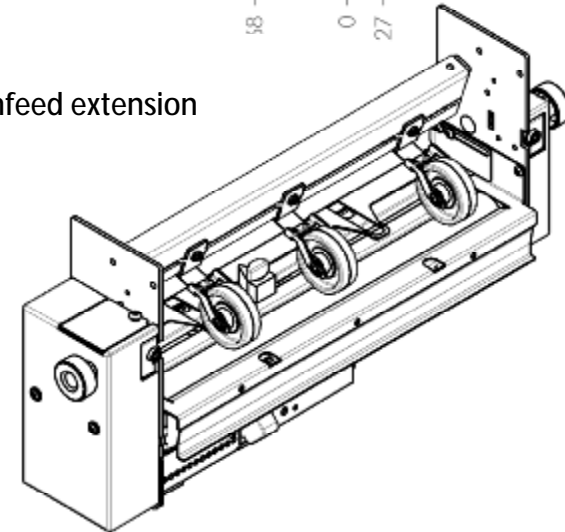
	00161-40-xx	00164-40-xx	00161-54-xx
	Transfer W276	Transfer W365 without I/O-Sensors	Transfer 2 rollers W195
Envelope Size	70...360mm	70...360mm	70...360mm
height	70...276mm	70...365mm	70...195mm
width	Maximum accumulated thickness 13 mm	Maximum accumulated thickness 19 mm	Maximum accumulated thickness 13 mm
Infeed width	276mm	365mm	195mm
Transport speed	0,5 m/sec...3,0 m/sec; adjustable with potentiometer		
Stop control	Run $\pm 5...48$ VDC (results 3...25mA); stop ± 0 V, within 60...200 msec		
Direction control	cw $\pm 5...48$ VDC (results 3...25mA); ccw ± 0 V (open)		
Stop + direction control	The jumpers J1+J2 must be removed from PCB		
Interface	Parallel interface; Sub-D 15 m: Opto couplers		
Sensors	In feed, run out (option); Vce max 60 V, I col. max 20 mA, R= extern		
Dimensions	413 x 112,5 x 233mm	503 x 109 x 233mm	331 x 143 x 216mm
Options	20029-56-00 Infeed extension	20029-66-00 Infeed extension	20029-17-00 Infeed extension
Colour	RAL 7035 fine-structure		
Power requirements	230VAC, 100VA		
Weight	5 kg	6 kg	6 kg

Transfer Information Catalog 00161-40 (-54)-xx; 00164-40-xx

00164-40-XX

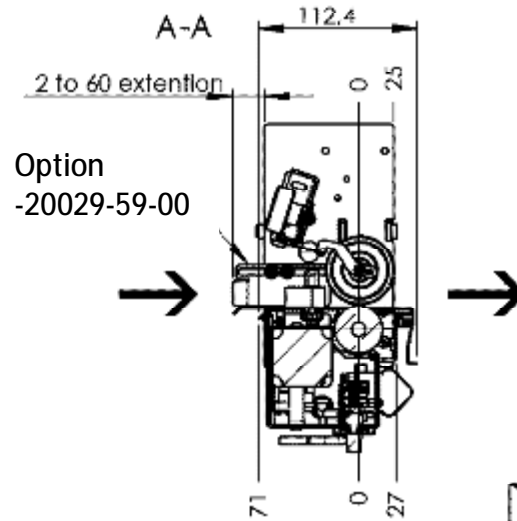
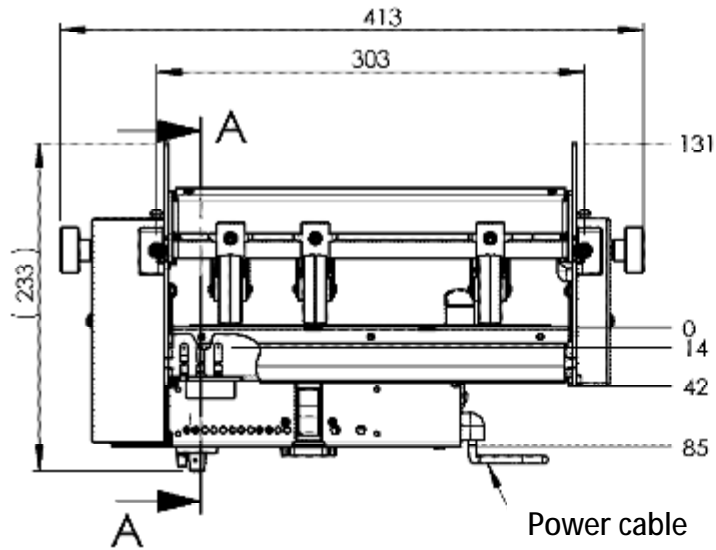


Optional
-20029-66-00 infeed extension

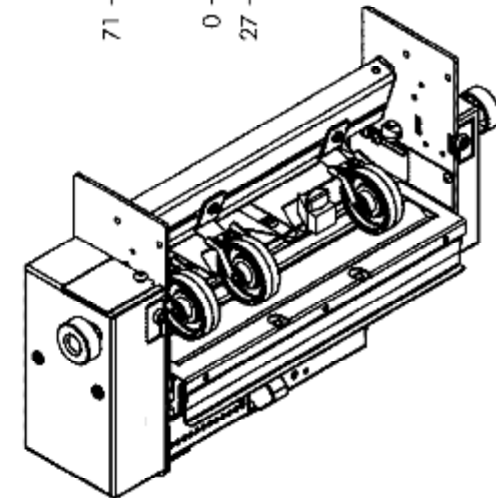
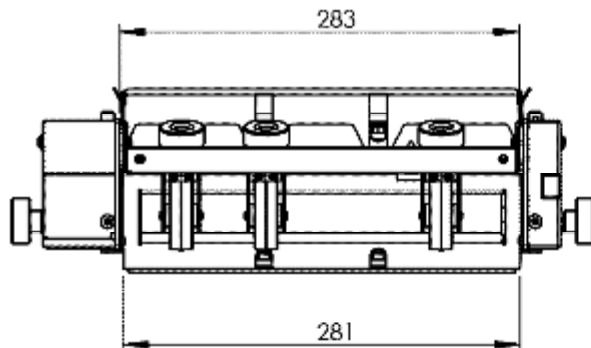


Transfer Information Catalog 00161-40 (-54)-xx; 00164-40-xx

00161-40-xx



00161-40-xx with option
-20029-59-00 infeed extension



Transfer Information Catalog 00161-40 (-54)-xx; 00164-40-xx

00161-54-xx

