

**Condensing Conveyor Information Catalog 00134-03(-D3/-F3)-xx and 00134-04(-D4/-F4)-xx
00137-03(-D3/-F3)-xx and 00137-04(-D4/-F4)-xx**



00137-03-xx (230VAC)
00137-04-xx (115VAC)



00134(7)-03-xx (230VAC)
00134(7)-04-xx (115VAC)
With option 00173-00-00



00134(7)-F3-xx (230VAC)
00134(7)-F4-xx (115VAC)



00134-03-xx (230VAC)
00134-04-xx (115VAC)

00134-D3-xx Conveyor for diverter is not shown

WD Schneider GmbH
35452 Heuchelheim – Germany

Condensing Conveyor Information Catalog 00134-03(-D3/-F3)-xx and 00134-04(-D4/-F4)-xx
00137-03(-D3/-F3)-xx and 00137-04(-D4/-F4)-xx

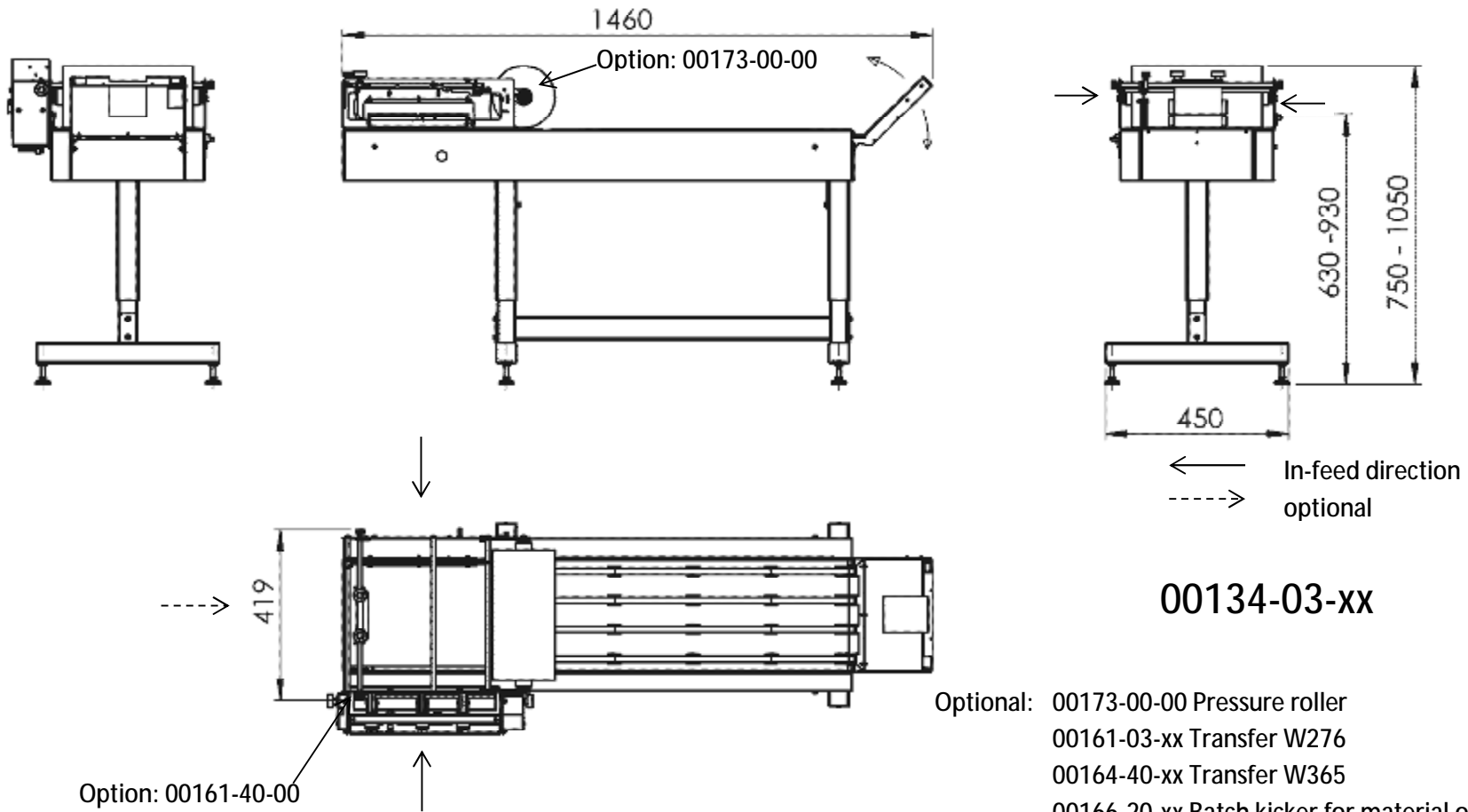
		00134-03(-04)-xx	00134-F3(F4)-xx	00134-D3(D4)-xx	
		Condensing conveyor C4Lx1460			
		90° -infeed left or right	Inline feed	within diverter bin	
Envelope Size	height	70...353mm			
	width	70...340mm			
Belt speed		0,13m/sec (option: 0,2...0,4 m/sec)			
Belt step		2...270 mm and / or extern trigger possibility, or continuous running			
Capacity		up to 1200 envelopes			
Control		Optical sensor, micro-processor, various programs			
Dimensions		420 x 1460 mm			
Feeding height		635...935mm	665...960mm		
Belt height		600...895mm		600...895mm	
Options		00161-03-xx Transfer transport W276; v=2m/sec; 230VAC			
		00161-40-xx Transfer transport W276; v=0,5...3,0m/sec; 100...240VAC			
		00161-54-xx Transfer transport 2 rollers W195; 100...240VAC			
		00164-40-xx Transfer transport W365; with I/O-Sensors; 100...240VAC			
		00166-20-80 Batch kicker 230VAC		00166-41-xx Batch kicker	
		00173-00-00 Pressure roller B4			
Colour		Bin instead of back stop plate RAL 7035 fine-structure			
Power requirements		230VAC, 60VA (Option 115VAC)			
Weight		38kg			

WD Schneider GmbH
35452 Heuchelheim – Germany

Condensing Conveyor Information Catalog 00134-03(-D3/-F3)-xx and 00134-04(-D4/-F4)-xx
00137-03(-D3/-F3)-xx and 00137-04(-D4/-F4)-xx

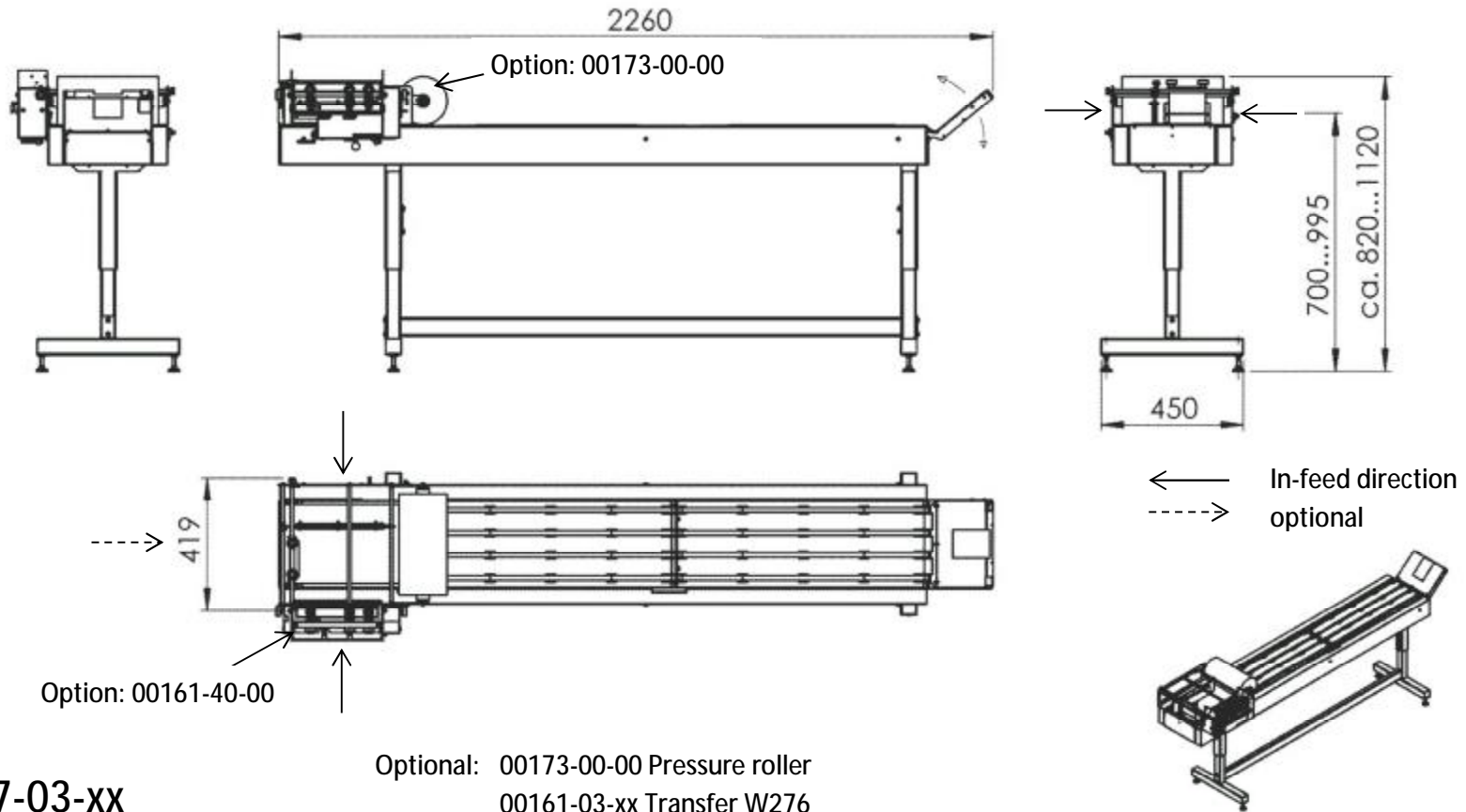
	00137-03(04)-xx	00137-F3(-F4)-xx	00137-D3(-D4)-xx
	Condensing conveyor C4Lx2260		
	90° -infeed left or right	Inline feed	within diverter bin
Envelope Size		70...353mm	
height		70...340mm	
width			
Belt speed	0,13m/sec (option: 0,2...0,4 m/sec)		
Belt step	2...270 mm and / or extern trigger possibility, or continuous running		
Capacity	up to 2500 envelopes		
Control	Optical sensor, micro-processor, various programs		
Dimensions	420 x 2260 mm		
Feeding height	635...935mm		665...960mm
Belt height	600...895mm		600...895mm
Options	00161-03-xx Transfer transport W276; v=2m/sec; 230VAC		
	00161-40-xx Transfer transport W276; v=0,5...3,0m/sec; 100...240VAC		
	00161-54-xx Transfer transport 2 rollers W195; 100...240VAC		
	00164-40-xx Transfer transport W365; with i/o-Sensors; 100...240VAC		
	00166-20-80 Batch kicker 230VAC		00166-41-xx Batch kicker
	00173-00-00 Pressure roller B4		
	Bin instead of back stop plate		
Colour	RAL 7035 fine-structure		
Power requirements	230VAC, 60VA (Option 115VAC)		
Weight	60kg		

Condensing Conveyor Information Catalog 00134-03(-D3/-F3)-xx and 00134-04(-D4/-F4)-xx
00137-03(-D3/-F3)-xx and 00137-04(-D4/-F4)-xx



WD Schneider GmbH
 35452 Heuchelheim – Germany

**Condensing Conveyor Information Catalog 00134-03(-D3/-F3)-xx and 00134-04(-D4/-F4)-xx
 00137-03(-D3/-F3)-xx and 00137-04(-D4/-F4)-xx**



00137-03-xx

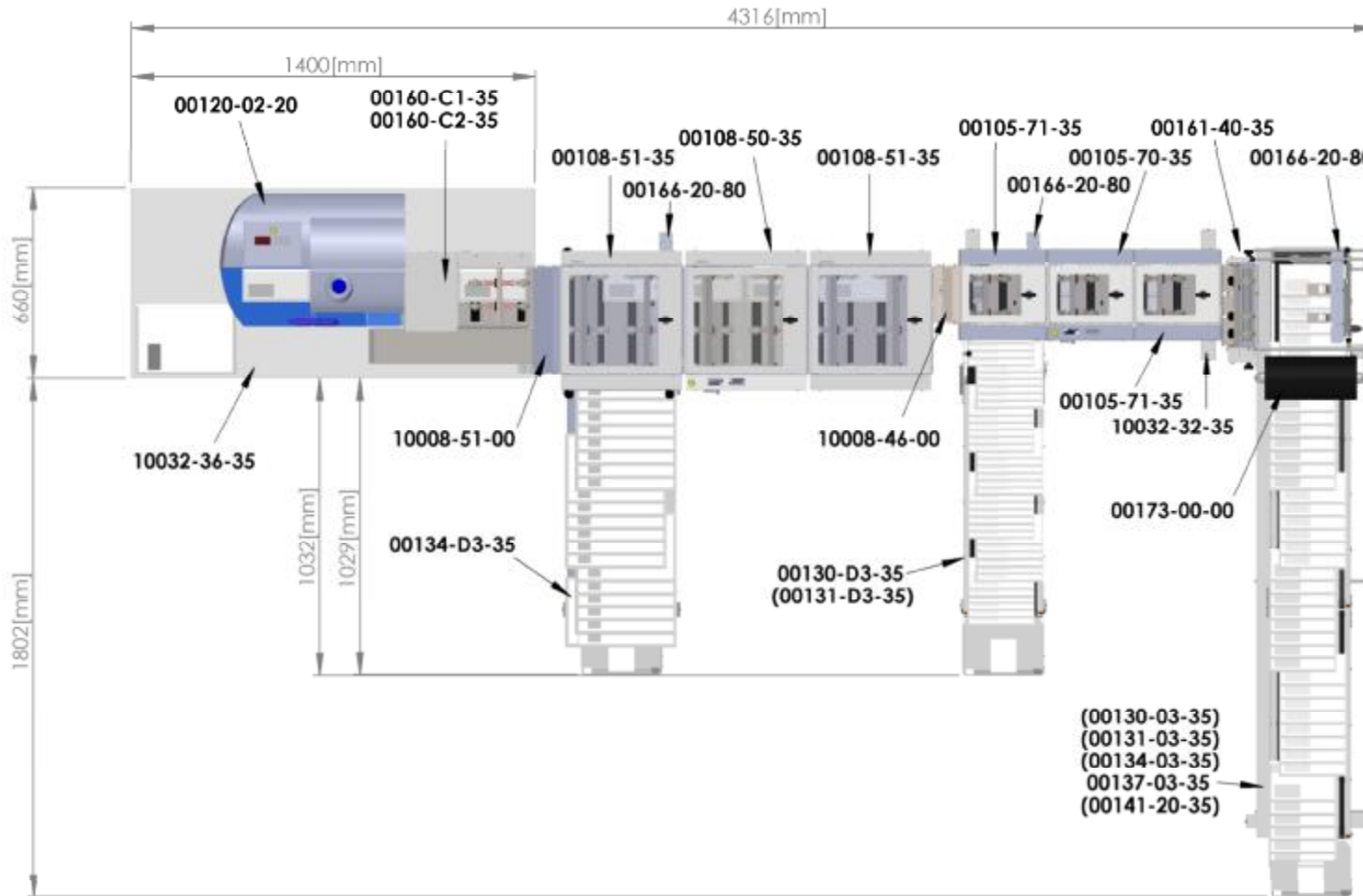
- Optional: 00173-00-00 Pressure roller
- 00161-03-xx Transfer W276
- 00164-40-xx Transfer W365
- 00166-20-xx Batch kicker for material offset (230VAC)

Condensing conveyor - Transportband

Type – Typ 00134-03(-D3/-F3)-xx and 00134-04(-D4/-F4)-xx
 Type – Typ 00137-03(-D3/-F3)-xx and 00137-04(-D4/-F4)-xx

Issue - Ausgabe
 2014-03-17

Condensing Conveyor Information Catalog 00134-03(-D3/-F3)-xx and 00134-04(-D4/-F4)-xx
00137-03(-D3/-F3)-xx and 00137-04(-D4/-F4)-xx



Example configuration

- 00120-02-20 Feeder A6-B4; 230VAC
- 00160-C2-35 Reader transport
- 10032-56-35 Table with double floor 1400x660
- 10008-51-00 Entry feed W365
- 00108-51-35 Diverter W365; 4 rollers; w/o MPU
- 00108-50-35 Diverter W365; 4 rollers; with MPU
- 10032-45-35 Rack, table 1296x318
- 10008-46-00 Entry feed W195
- 00105-71-35 Diverter W195; 2 rollers; w/o MPU
- 00105-70-35 Diverter W195; 2 rollers; with MPU
- 10032-30-35 Rack, table 912x318
- 00161-40-35 Transfer W276
- 00137-03-35 Conveyor C4Lx2660
- 00173-00-00 Pressure roller
- 00166-20-80 Batch kicker

Options:

- 00105-50-35 Diverter W195; 3 rollers; with MPU
- 00161-54-35 Transfer W195
- 00164-40-35 Transfer W365
- 00130-D3-35 Conveyor B5x1460
- 00134-D3-35 Conveyor B4x1460
- 00134-03-35 Conveyor B4x1460
- 00141-20-35 Conveyor B4x2240