

Condensing Conveyor Information Catalog 00130(1)–03(–D3/F3)–xx



00130-03-xx



00130(1)-03-xx
with
option 00173-03-00



00130(1)-F3-xx



00131-03-xx

00131-D3-xx Conveyor for diverter see page 4

Condensing Conveyor Information Catalog 00130(1)–03(–D3/F3)–xx

		00130-03-xx	00130-F3-xx	00130-D3-xx
		Condensing conveyor B5x1460		
		90° -infeed left or right	Inline feed	within diverter bin
Envelope Size	height	70...325mm		
	width	70...250mm		
Belt dimensions		450 x 250 mm +800mm condensing		
Belt speed		0,13m/sec (option: 0,2...0,4 m/sec)		
Belt step		2...270 mm and/or extern trigger possibility, or continuous running		
Capacity		up to 1200 envelopes		
Control		Optical sensor, micro-processor, various programs		
Dimensions		420 x 1460 mm		
Feeding height		635...935mm		665...960mm
Belt height		600...895mm		600...895mm
Options		00161-03-xx Transfer transport W276; v=2m/sec; 230VAC		
		00161-40-xx Transfer transport W276; v=0,5...3,0m/sec; 100...240VAC		
		00161-54-xx Transfer transport 2 rollers W195; 100...240VAC		
		00164-40-xx Transfer transport W365; with I/O-Sensors; 100...240VAC		
		00166-20-80 Batch kicker 230VAC		00166-41-xx Batch kicker
		00173-03-00 Pressure roller B5		
		Bin instead of back stop plate		
Colour		RAL 7035 fine-structure		
Power requirements		230VAC, 60VA (Option 115VAC)		
Weight		30kg		

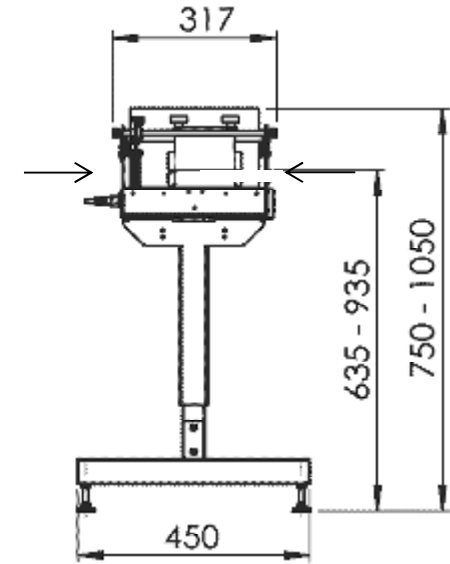
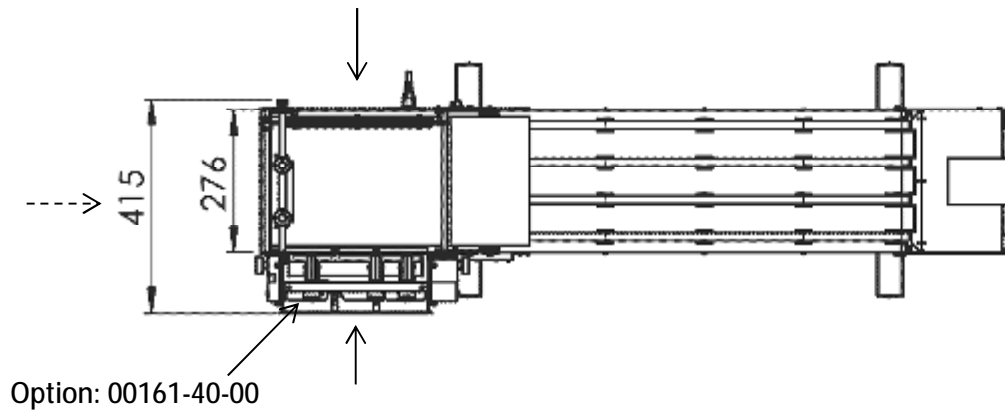
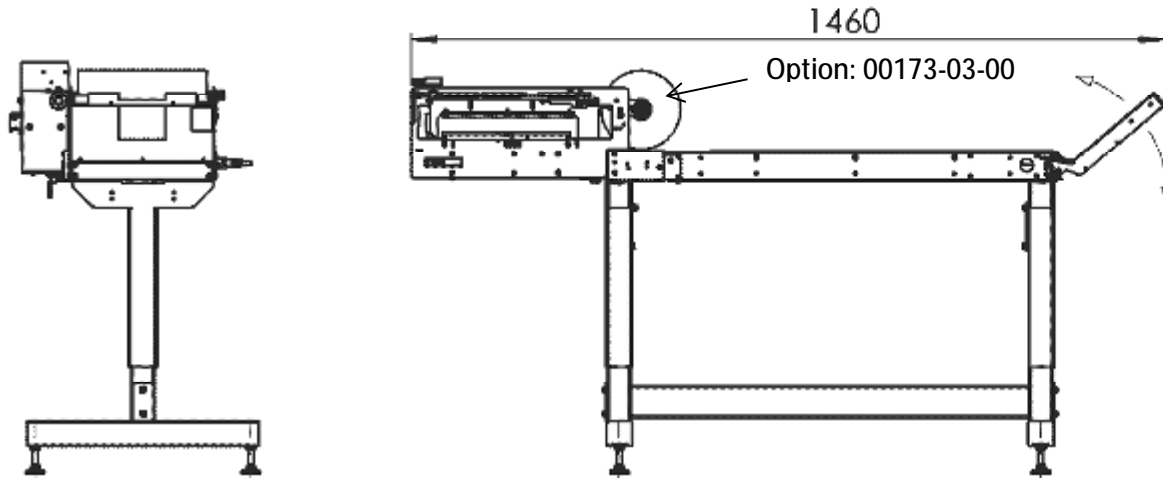
WD Schneider GmbH
35452 Heuchelheim – Germany

Condensing Conveyor Information Catalog 00130(1)–03(–D3/F3)–xx

		00134-03(-04)-xx	00134-F3(F4)-xx	00134-D3(D4)-xx	
		Condensing conveyor C4Lx1460			
		90° -infeed left or right	Inline feed	within diverter bin	
Envelope Size	height	70...353mm			
	width	70...340mm			
Belt speed		0,13m/sec (option: 0,2...0,4 m/sec)			
Belt step		2...270 mm and / or extern trigger possibility, or continuous running			
Capacity		up to 1200 envelopes			
Control		Optical sensor, micro-processor, various programs			
Dimensions		420 x 1460 mm			
Feeding height		635...935mm	665...960mm		
Belt height		600...895mm		600...895mm	
Options		00161-03-xx Transfer transport W276; v=2m/sec; 230VAC			
		00161-40-xx Transfer transport W276; v=0,5...3,0m/sec; 100...240VAC			
		00161-54-xx Transfer transport 2 rollers W195; 100...240VAC			
		00164-40-xx Transfer transport W365; with I/O-Sensors; 100...240VAC			
		00166-20-80 Batch kicker 230VAC		00166-41-xx Batch kicker	
		00173-00-00 Pressure roller B4			
		Bin instead of back stop plate			
Colour		RAL 7035 fine-structure			
Power requirements		230VAC, 60VA (Option 115VAC)			
Weight		38kg			

WD Schneider GmbH
35452 Heuchelheim – Germany

Condensing Conveyor Information Catalog 00130(1)–03(–D3/F3)–xx



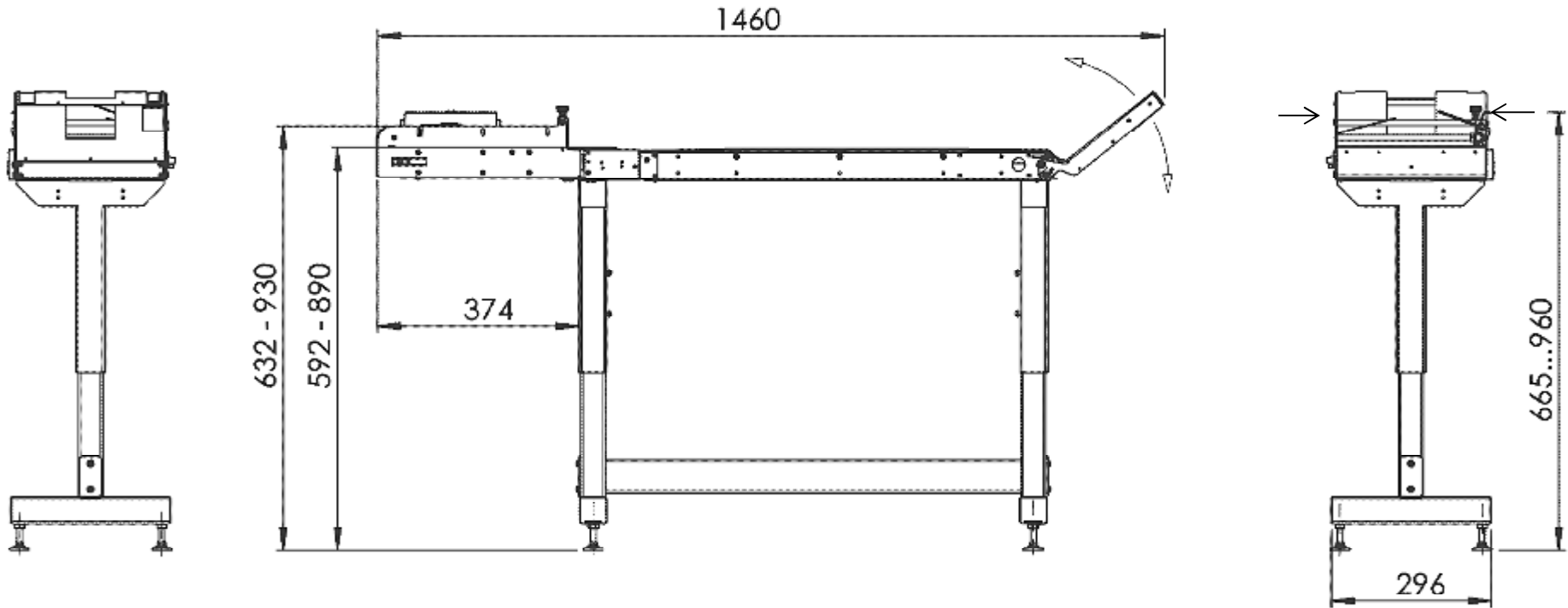
← In-feed direction
-----> optional

00130-03-xx

- Optional: 00173-03-00 Pressure roller
- 00161-03-xx Transfer W276
- 00164-40-xx Transfer W365
- 00166-20-xx Batch kicker for material offset (230VAC)

WD Schneider GmbH
35452 Heuchelheim – Germany

Condensing Conveyor Information Catalog 00130(1)–03(–D3/F3)–xx

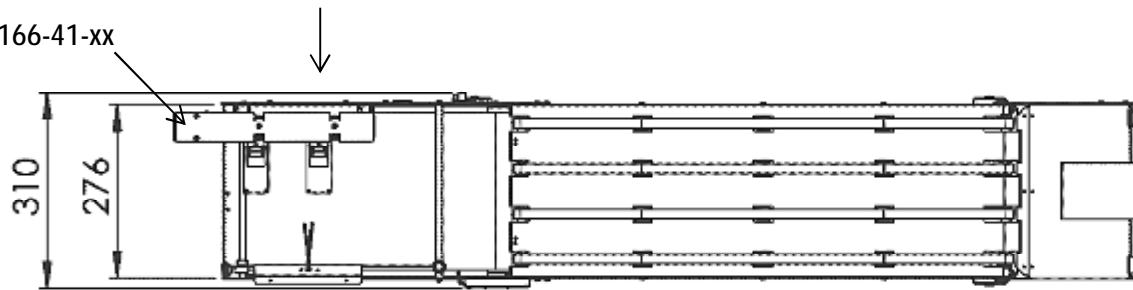


← In-feed direction

00130-D3-xx

Optional: 00166-41-xx Batch kicker for material offset (230VAC)

Option: 00166-41-xx

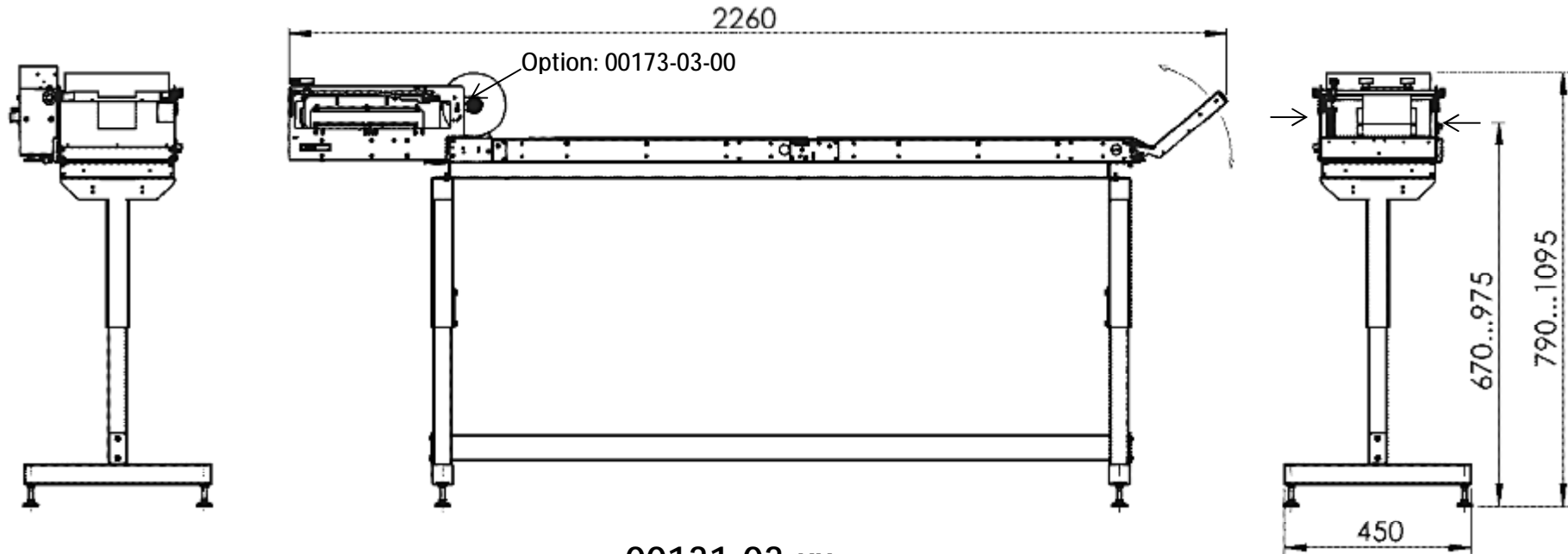


Condensing conveyor - Transportband
Type – Typ 00130(1)–03(–D3/F3)–xx

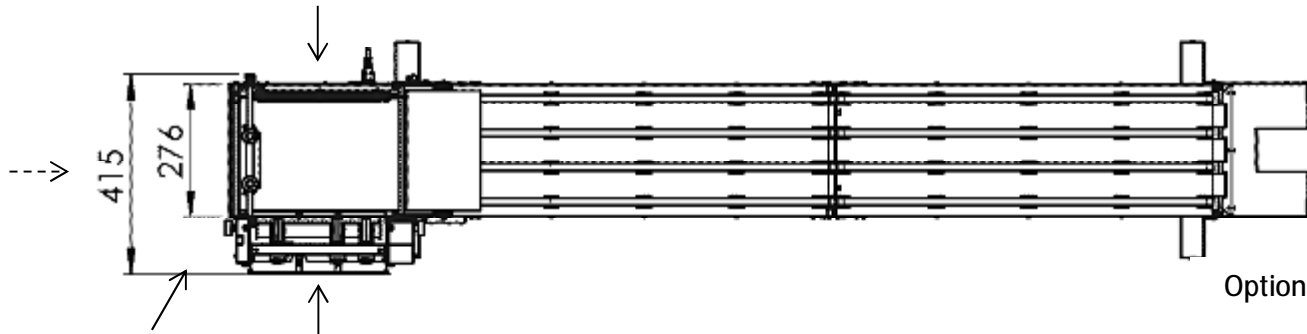
Issue - Ausgabe
2014-03-17

Page – Seite 5 - 7

Condensing Conveyor Information Catalog 00130(1)-03(-D3/F3)-xx



00131-03-xx

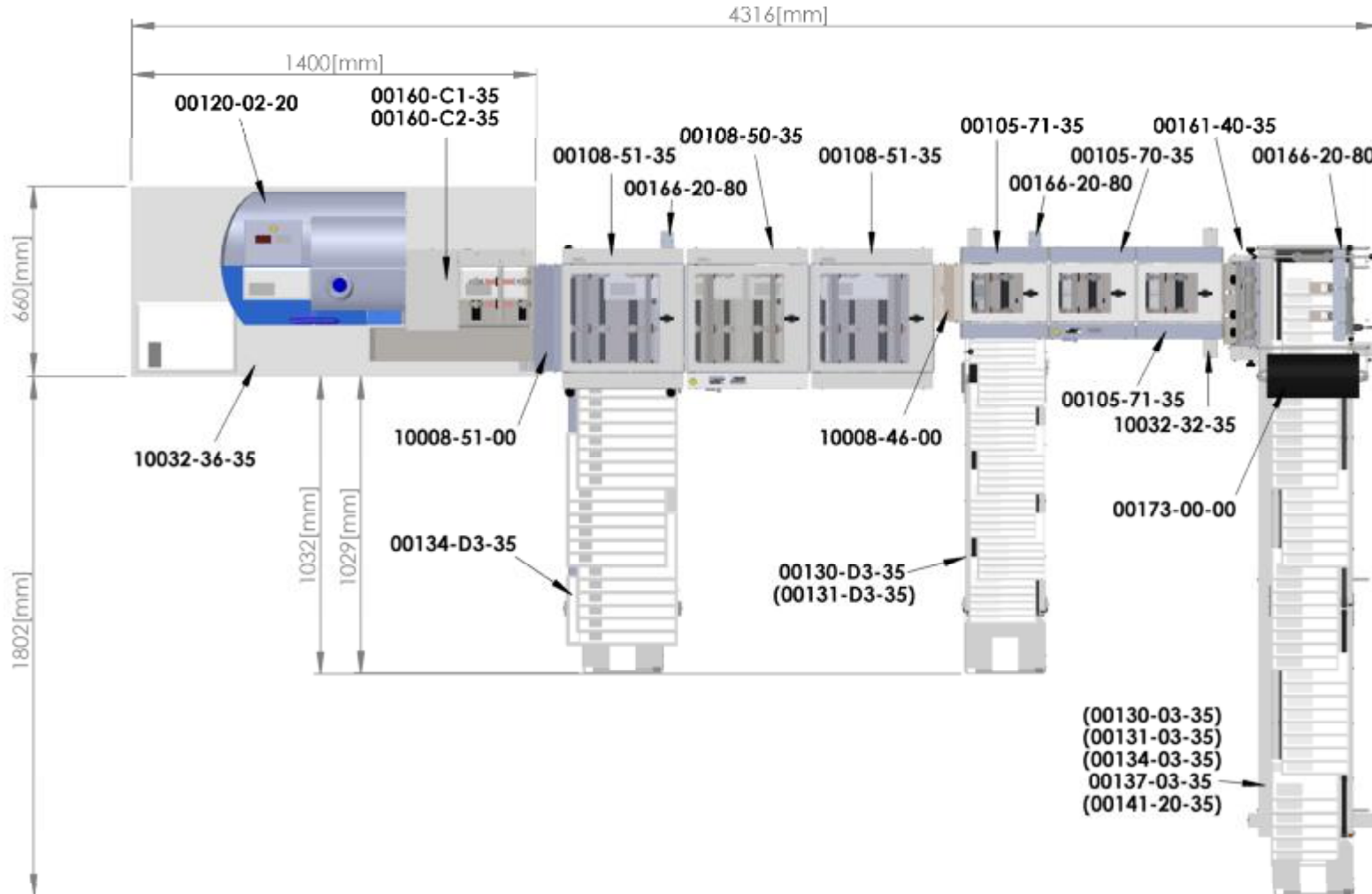


Option: 00161-40-00

← In-feed direction
- - - - -> optional

- Optional: 00173-03-00 Pressure roller
- 00161-03-xx Transfer W276
- 00164-40-xx Transfer W365
- 00166-20-xx Batch kicker for material offset (230VAC)

Condensing Conveyor Information Catalog 00130(1)–03(–D3/F3)–xx



Example configuration

- 00120-02-20 Feeder A6-B4; 230VAC or Inserter
- 00160-C2-35 Reader transport
- 10032-56-35 Table with double floor 1400x660

- 10008-51-00 Entry feed W365
- 00108-51-35 Diverter W365; 4 rollers; w/o MPU
- 00108-50-35 Diverter W365; 4 rollers; with MPU
- 10032-45-35 Rack, table 1296x318
- 10008-46-00 Entry feed W195
- 00105-71-35 Diverter W195; 2 rollers; w/o MPU
- 00105-70-35 Diverter W195; 2 rollers; with MPU
- 10032-30-35 Rack, table 912x318
- 00161-40-35 Transfer W276
- 00137-03-35 Conveyor C4Lx2660
- 00166-20-80 Batch kicker

Options:

- 00105-50-35 Diverter W195; 3 rollers; with MPU
- 00161-54-35 Transfer W195
- 00164-40-35 Transfer W365
- 00130-D3-35 Conveyor B5x1460
- 00131-D3-35 Conveyor B5x2260
- 00134-D3-35 Conveyor B4x1460
- 00134-03-35 Conveyor B4x1460