

Diverter B5 Width 195 Information Catalog 00105-50(-51/-70/-71)-XX



00105-50-XX
Diverter W195
3 Rollers
with MPU 030001-44



00105-51-XX
Diverter W195
3 Rollers
without MPU



00105-70-XX
Diverter W195
2 Rollers
with MPU 030001-44



00105-71-XX
Diverter W195
2 Rollers
without MPU

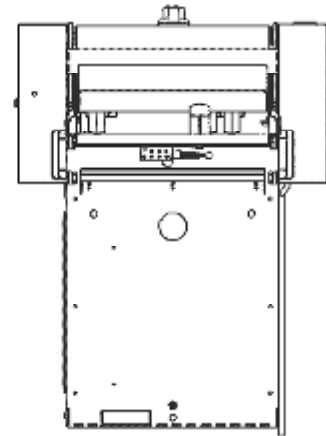
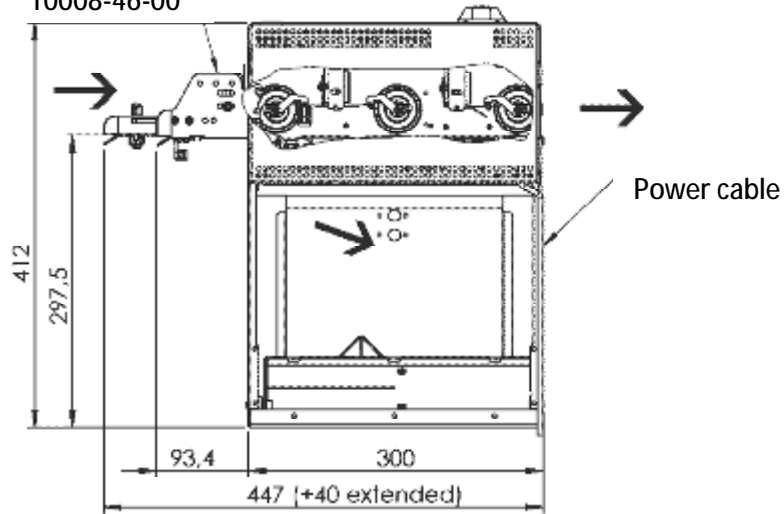
WD Schneider GmbH
35452 Heuchelheim – Germany

Diverter B5 Width 195 Information Catalog 00105-50(-51/-70/-71)-XX

	00105-50-	00105-70-	00105-51-	00105-71-
	Diverter W195 covered			
Envelope size				
Height (min; max)	152...250mm			
Width (min; max)	40...195mm			
Maximum accumulated thickness	12 mm			
Bin height	200 mm			
Transport speed	0,6...3 m/sec; adjustable within unit or by extern program			
Transport rollers	3	2	3	2
Layout information of Diverters	Only a single or the last diverter in a cascade should have 3 rollers			
Sensors, binary or seriell	Sensor for infeed / run out / diverted / cover closed; Vce 4...28VDC, I _{max} 50mA			
Diverter control	With MPU for 3 diverters			
	Able to control 2 of 00105-51(-71)-xx		Controlled by 00105-50(-70)-xx	
Serial interface	RS-232C			
	RS-422			
	RS-485			
	CAN			
	RS-232C			
Service Interface	Other interfaces on request			
Parallel interface	Opto couplers			
Deflector control:	4...28VDC, (results 2mA...18mA); Higher input voltage is possible. (I _{max} =18mA)			
Stop control:	4...28VDC, (results 2mA...18mA); stop within 60...160 msec. Higher input voltage is possible. (I _{max} =18mA)			
Standard funktions:	Protective cover with sensor			
Includes:				
Diverter cascade:	Assembling of multiple diverters			
Protective cover controlled by Sensor	Yes			
Options:	Option			
<u>Bin level indicator</u>	Included, see above			
<u>Sensors, binary</u>				
<u>Order complements</u>	10008-46-00 Infeed guide W195 with infeed sensor			
	10032-53-xx Rack, table 456x318mm			
	10032-52-xx Rack, table 608x318mm			
	10032-30-xx Rack, table 912x318mm			
	10032-45-xx Rack, table 1296x318mm			
<u>Lower cabinet B5</u>	10092-B2-xx			
<u>Conveyor</u>	00130-D3-xx or 00140-D3-xx Conveyor inside diverter, transport to the l.h or r.h side e.g.			
Colour	RAL 7035 fine-structure			
Power requirements	100...240VAC; 100VA		Supplied by 00105-50(-70)-xx	
Weight	18kg	17kg	18kg	17kg

Diverter B5 Width 195 Information Catalog 00105-50(-51/-70/-71)-XX

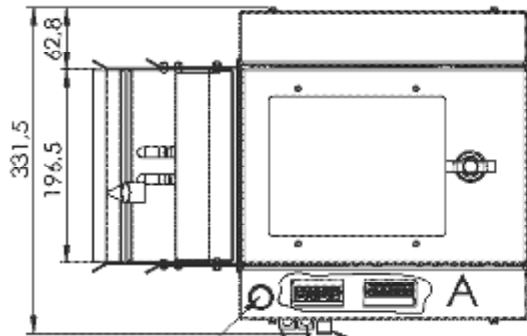
Option
10008-46-00



Optional

- 10008-46-00 Infeed guide assy W195 with sensor
- D-SUB connectors

00105-50-xx

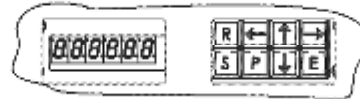


Stop

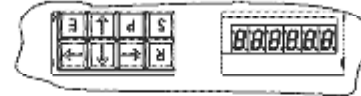
- Option D-SUB HD26M for binary signals
- Option D-SUB 9M for serial interface

DETAIL A
for 00105-50- (-60)

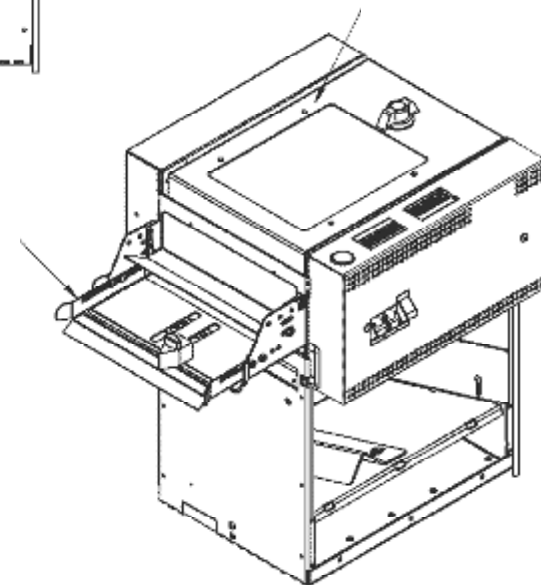
assembly stile A



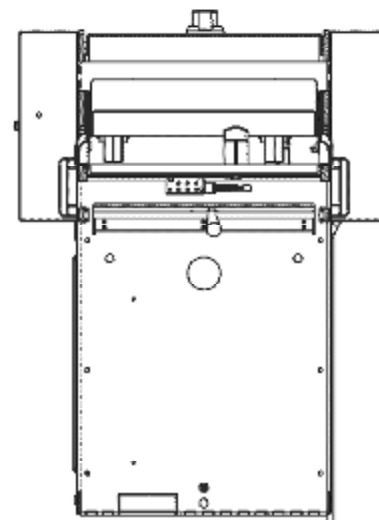
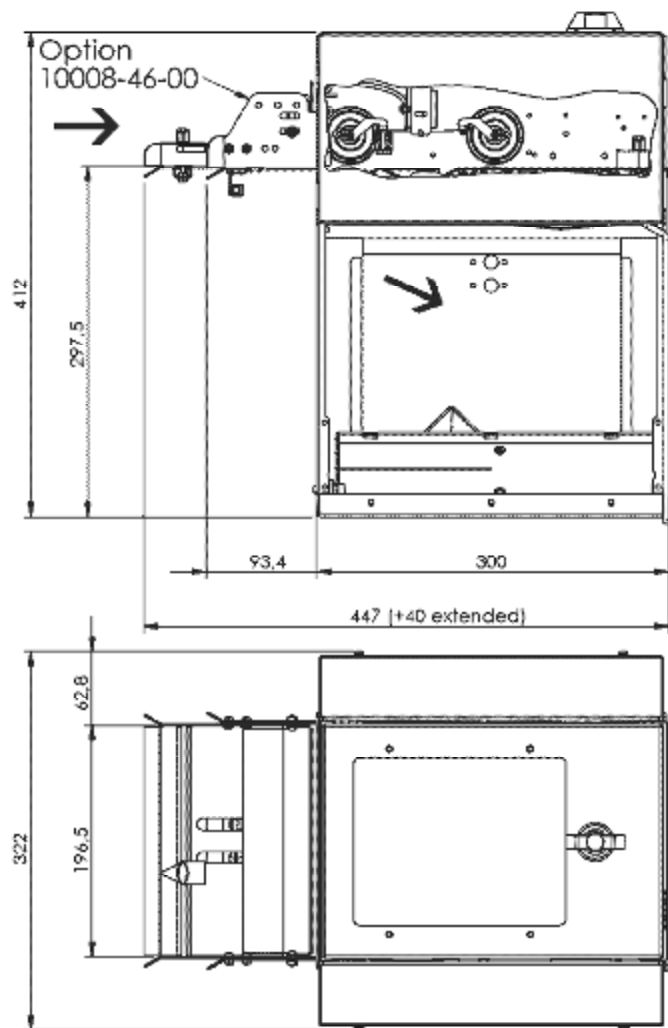
assembly stile B



Option
10008-46-00



Diverter B5 Width 195 Information Catalog 00105-50(-51/-70/-71)-XX



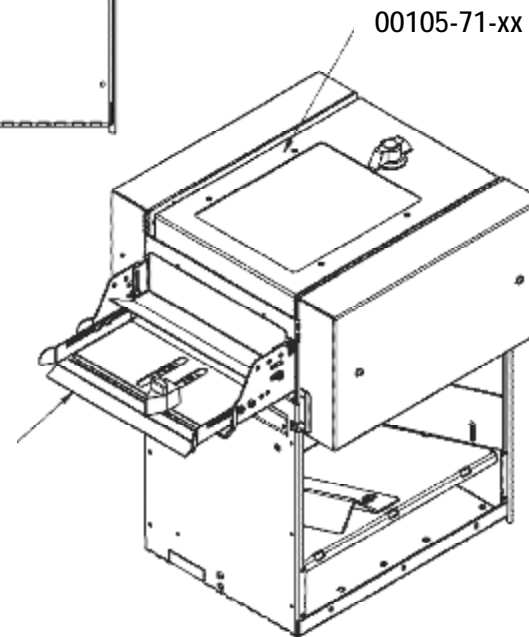
Optional

- 10008-46-00 Infeed guide assy W195 with sensor
- D-SUB connectors

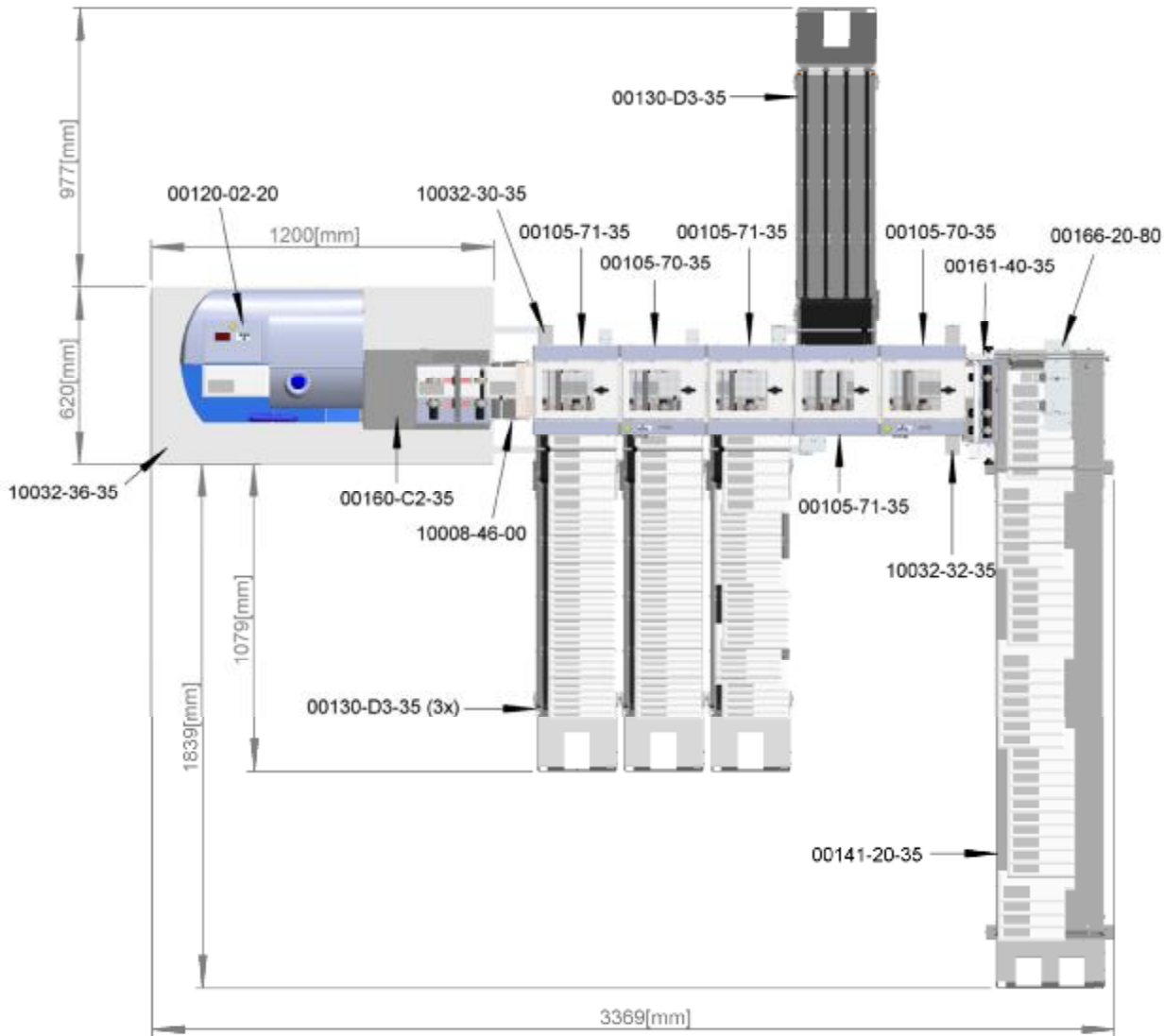
Power cable

00105-71-xx

Option
10008-46-00



Diverter B5 Width 195 Information Catalog 00105-50(-51/-70/-71)-XX



Example Configuration:

- 00120-02-20 Feeder A6-B4; 230VAC
- 00160-C2-35 Reader transport
- 10032-36-35 Table with double floor 1200x620

- 10008-46-00 In-feed guide assy W195
- 00105-71-35 Diverter W195; 2 rollers; w/o MPU
- 00105-70-35 Diverter W195; 2 rollers; with MPU
- 00105-50-35 Diverter W195; 3 rollers; with MPU
- 10032-30-35 Rack, table 912x318
- 10032-32-35 Rack, table 608x318

Options:

- 00130-D3-35 Conveyor B5x1460
- 00161-40-35 Transfer W276
- 00161-54-35 Transfer W195
- 00164-40-35 Transfer W365
- 00166-20-80 Batch kicker
- 00141-20-35 Conveyor B4x2240