

**Diverter B5 Width 195 Information Catalog 00105-1x-xx**



**00105-11-xx**  
Diverter W195  
2 Rollers  
w/o lower cabinet



**00105-10-xx**  
Diverter W195  
2 Rollers  
with lower cabinet



**00105-13-xx**  
Diverter W195  
3 Rollers  
with lower cabinet



**00105-14-xx**  
Diverter W195  
3 Rollers  
w/o lower cabinet

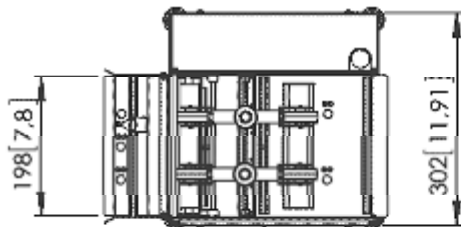
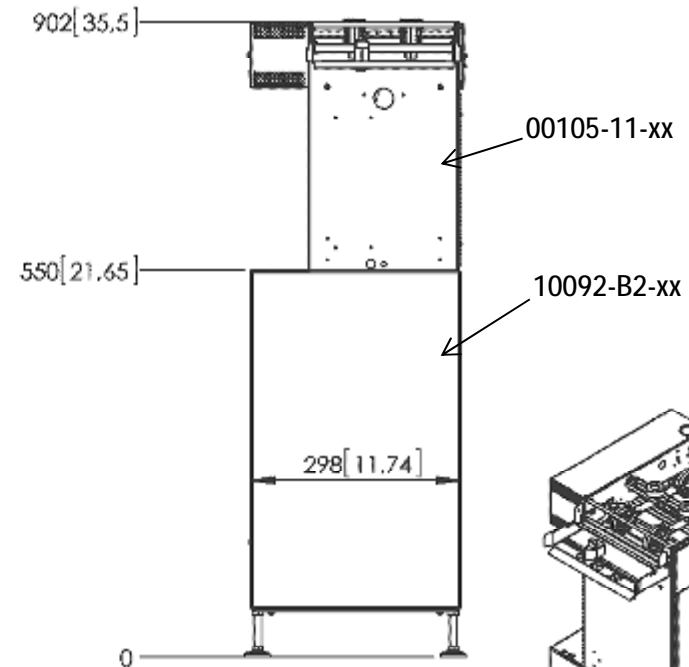
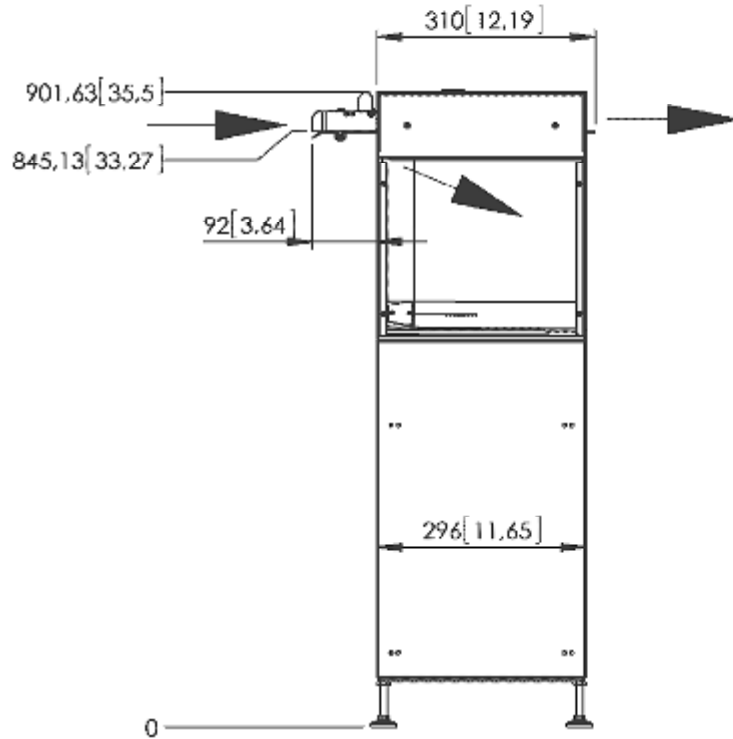
**WD Schneider GmbH**  
35452 Heuchelheim – Germany

**Diverter B5 Width 195 Information Catalog 00105–1x–xx**

	00105-10-	00105-11-	00105-13-	00105-14-
	Diverter W195			
<b>Envelope size</b>	<b>Height (min; max)</b> 152...250mm			
	<b>Width (min; max)</b> 40...195mm			
	<b>Maximum accumulated thickness</b> 12 mm			
<b>Bin height</b>	200 mm			
<b>Transport speed</b>	0,6...3,0 m/sec			
<b>Transport rollers</b>	2	2	3	3
<b>Layout information of Diverters</b>	Only a single or the last diverter in a cascade should have 3 rollers			
<b>Sensors, binary or serial</b>	Option			
<b>Diverter control</b>	----			
<b>Serial interface</b>	----			
<b>Service Interface</b>	----			
<b>Parallel interface</b>	Opto couplers			
<b>Deflector control:</b>	5...24VDC, 3...16mA (R intern 1k5)			
<b>Stop control:</b>	5...24VDC, 3...16mA, stop within 100...200msec			
<b>Standard funktions:</b>	Entering of envelopes right or left hand side			
<b>Includes:</b>	Lower cabinet		Lower cabinet	
<b>Diverter cascade:</b>	Assembling of multiple diverters			
<b>Protective cover controlled by Sensor</b>	----			
<b>Options:</b>	<b>Bin level indicator</b> Option			
	<b>Sensors, binary</b> 10029-16-00 Sensor for infeed / run out / diverted			
	<b>Order complements</b> Infeed guide included			
	10032-53-xx Rack, table 456x318mm			
	10032-52-xx Rack, table 608x318mm			
	10032-30-xx Rack, table 912x318mm			
	10032-45-xx Rack, table 1296x318mm			
	<b>Lower cabinet B5</b>	10092-B2-xx		10092-B2-xx
	<b>Conveyor</b> 00130-D3-xx or 00140-D3-xx Conveyor inside diverter, transport to the l.h or r.h side e.g.			
<b>Colour</b>	RAL 7035 fine-structure			
<b>Power requirements</b>	100...240VAC; 100VA			
<b>Weight</b>	22kg	11kg	23kg	12kg

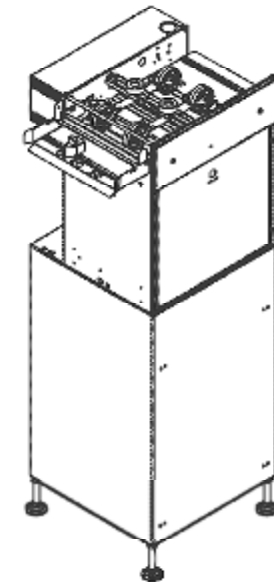
**Diverter B5 Width 195 Information Catalog 00105-1x-xx**

00105-10-xx exist of 00105-11-xx and 10092-B2-xx



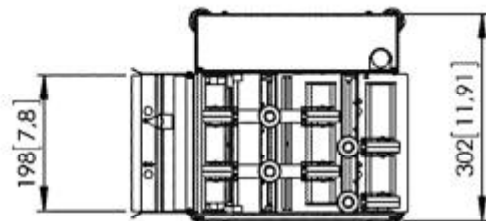
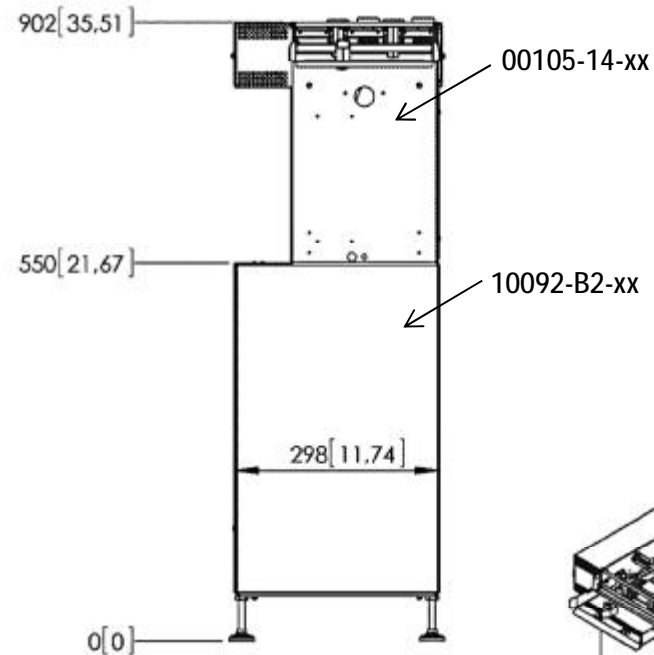
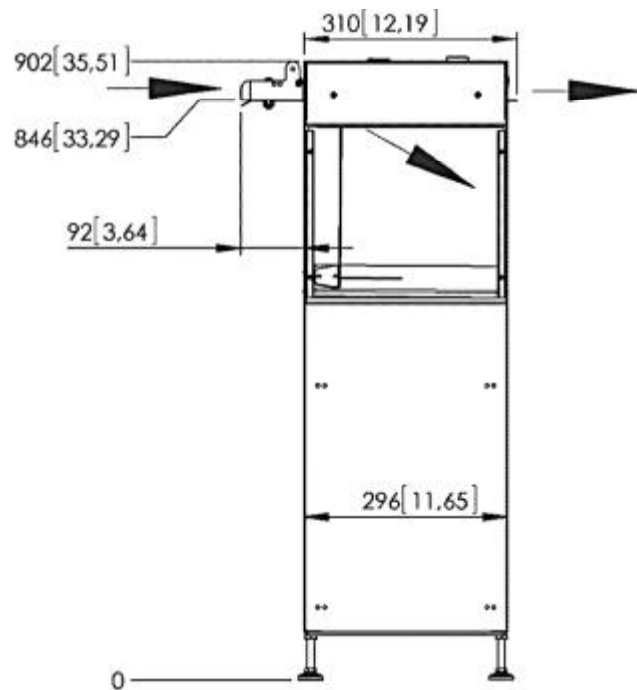
All height dimensions  $\pm 40\text{mm}$  [1,57]

All height dimensions with optional socket 20050-01-xx  
 $+55\text{mm}$  [2,17]  $\pm 40\text{mm}$  [1,57]



Diverter B5 Width 195 Information Catalog 00105-1x-xx

00105-13-xx exist of 00105-14-xx and 10092-B2-xx



All height dimensions  $\pm 40\text{mm}$  [1,57]

All height dimensions with optional socket  
20050-01-xx +55mm [2,17]  $\pm 40\text{mm}$  [1,57]

